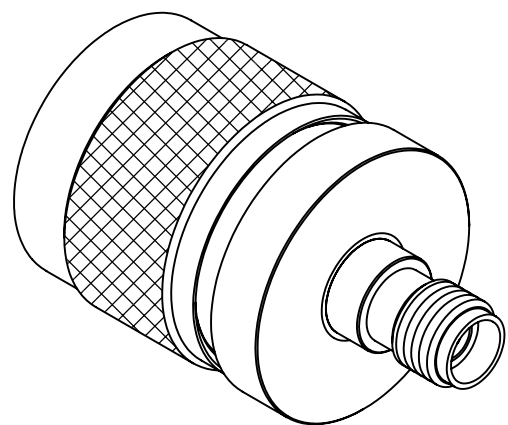
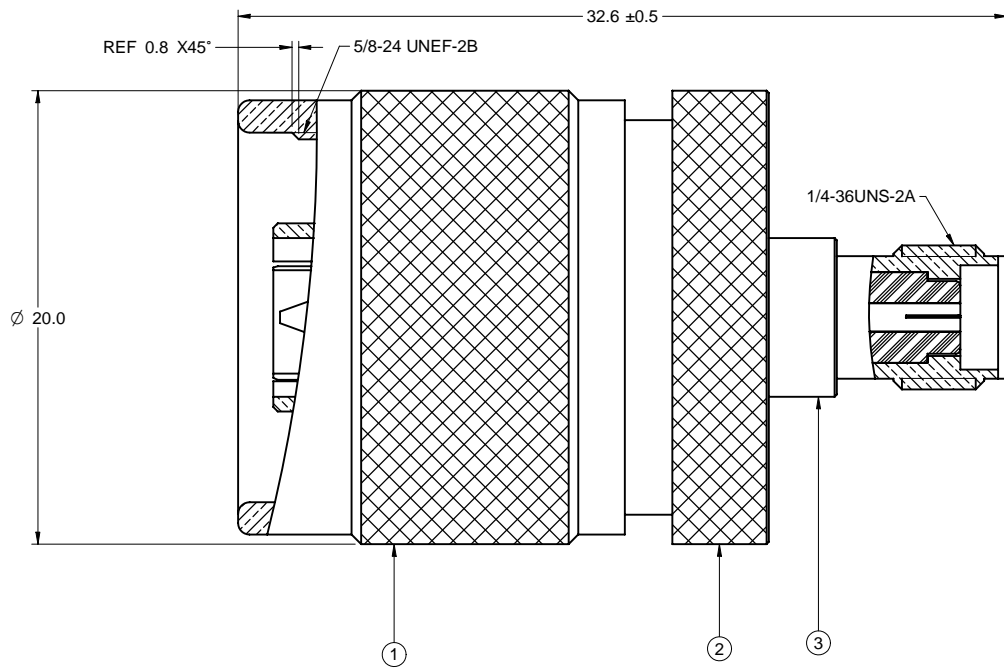


	5		4		3		2		1
PART NUMBER	ITEM ① NUT	ITEM ② BODY	ITEM ② BODY						
29-3840	BRASS NICKEL PLATED	BRASS NICKEL PLATED	BRASS NICKEL PLATED						

DRAWING NO. 29-3840	
REVISIONS	
A	RELEASE FOR QUOTATION 03-30-06 W W T
B	ADD NOTE 4&5 11-08-06 W W T
C	CHANGE SOME TOLERANCE. ADD THREAD CHAMFER 12-26-06 L Y T



NOTES:

- ELECTRICAL SPECIFICATIONS
 N IMPEDANCE: 50 OHM
 SMA IMPEDANCE: 50 OHM
 WORKING VOLTAGE: 500 VOLTS RMS AT SEA LEVEL
 DIELECTRIC WITHSTANDING VOLTAGE: 1500 VOLTS RMS AT SEA LEVEL
 INSULATION RESISTANCE: 5000 MEGOHMS MIN
- ENVIRONMENTAL SPECIFICATIONS
 TEMPERATURE RANGE: -55 °C TO +85 °C
- MECHANICAL CHARACTERISTICS:
 DURABILITY: 500 CYCLES
- PRODUCT SHOULD BE RoHS COMPLIANCE
- PACKAGING REQUIREMENT FOLLOWS ENGINEERING DOCUMENT P/N 836-4020001XX

THIS DRAWING TO BE INTERPRETED
 PER ANSI Y 14.5M - 1994
COMPANY CONFIDENTIAL

TOLERANCE UNLESS OTHERWISE SPECIFIED		DRAWN BY LINDA.WU	DATE 12-26-06
DECIMALS	mm	CHECKED BY BETTY.YU	DATE 12-26-06
X	+ 0.5	APPROVED BY THOMAS	DATE 12-26-06
X.X	+ 0.2		
X.XX	+ 0.1		
ANGLES	+ 0.5°	U/M	mm

EMERSON Network Power		Connectivity Solutions	
TITLE SMA JACK TO N PLUG			
SHEET 1 OF 1	DRAWING NO. 29-3840	SIZE C	

THIS DRAWING WAS PRODUCED BY COMPUTER.
 DO NOT SCALE DRAWING OR UPDATE MANUALLY.